

Explosion Proof Hazardous Location N.E.C. and I.E.C. Approved

## CU-MS & AH-MS Series Explosion Proof Mini-Split System

**CU-MS** series Mini-Split Condensing Units are Fully Tested for Operational Performance and NEC & IEC Compliance. Available in Multiple Configurations and Classifications these system can be configured to meet all your needs.

- General Purpose, Division II / Zone II and Division I / Zone I
- Capacities Ranging from : 6,000 to 60,000 BTU
- Available in Multiple Power Configurations
- General Purpose & Explosion Proof Controls

**AH-MS** series Mini-Split Condensing Units are Fully Tested for Operational Performance and NEC & IEC Compliance. Available in Multiple Configurations and Classifications these system can be configured to meet all your needs.

- General Purpose, Division II / Zone II and Division I / Zone I
- Capacities Ranging from : 6,000 to 60,000 BTU
- Available in Multiple Power Configurations
- General Purpose & Explosion Proof Controls



Division II / Zone II Condenser w/  
Explosion Proof Operational Controls

### Standard Features

- All Electrical Components are **UL & CSA Approved**
- Easily Accessible Components for System Maintenance
- Overload Protection Installed on Motors and Compressor
- Aluminum Fin /Copper Tube Coils for Maximum Heat Transfer
- Operation, Maintenance & Installation Manuals Included



Division II/ Zone II Evaporator



Safe Air Technology

Offering The Keys to Success: *Quality, Pricing and On Time Delivery*

4133 Evan Brooks Road • Baton Rouge LA 70814 U.S.A

Phone (225) 303-0007 • Fax (225) 303-0020

www.explosionproof.net • Email: [sales@explosionproof.net](mailto:sales@explosionproof.net)

COPYRIGHT © 2014 Safe Air Technology LLC. All Rights Reserved

## System Description

**Safe Air Technology CU-MS and AH-MS** series Units are fully tested for operational performance and compliance to ensure customer satisfaction. Our units are designed to provide cooling for Industrial severe duty applications, our quality of engineering and manufacturing will ensure many years of reliable service.

Please contact our sales engineering departments should you have any questions. We look forward to working with you and serving your needs for all of your HVAC/R Projects.

**Safe Air Technology**, providing **NEC “Certificates of Conformance”** showing compliance with N.E.C. codes. If requested SAT will provide an engineering submittal package for approval prior to manufacturing.

**Safe Air Technology’s Headquarters is located in** Baton Rouge, La and has offices around the world for efficient communication as well as immediate dispatch to your location when needed.



Severe Duty Design for:

- Chemical Plants and Refineries
- Offshore Platforms
- Gas Plants and Pipelines
- Corrosive and Hazardous Storage Facilities
- Paint Room
- Ammunition Facilities
- Fuel Transfer Docks
- Highly Corrosive Environments



## CU-MS Series Mini Split Condensing Unit

N.E.C. & I.E.C. RATED & APPROVED

### GENERAL PURPOSE DESIGN

**Designed to Operate in Non Classified Area with Explosion Proof or Non Explosion Proof AH-MS Series Air Handling Units.**

Model	Capacity BTU/ KW	Power Supply Volts / PH / HZ	MCA	Height IN / MM	Depth IN / MM	Width IN / MM	Sound Level Db	Unit Weight LBS
CU-MS-H-D-9000-1-NXP-***	9,000 / 2.64	110-120 / 1 / 60	10.8	36 (914)	15 (381)	24 (610)	59	98 (45)
CU-MS-H-D-12000-1-NXP-***	12,000 / 3.52	110-120 / 1 / 60	10.8	36 (914)	15 (381)	24 (610)	59	98 (45)
CU-MS-H-D-9000-2-NXP-***	9,000 / 2.64	208-230 / 1 / 60	5.7	36 (914)	15 (381)	24 (610)	68	98 (45)
CU-MS-H-D-12000-2-NXP-***	12,000 / 3.52	208-230 / 1 / 60	7.3	36 (914)	15 (381)	24 (610)	68	98 (45)
CU-MS-H-D-18000-2-NXP-***	18,000 / 5.28	208-230 / 1 / 60	8.5	36 (914)	15 (381)	32 (813)	68	156 (71)
CU-MS-H-D-24000-2-NXP-***	24,000 / 7.03	208-230 / 1 / 60	10.8	40 (1016)	15 (381)	32 (813)	68	156 (71)
CU-MS-H-D-30000-2-NXP-***	30,000 / 8.80	208-230 / 1 / 60	13.1	44 (1118)	15 (381)	38 (965)	68	210 (95)
CU-MS-H-D-36000-2-NXP-***	36,000 / 10.55	208-230 / 1 / 60	16.2	48 (1219)	15 (381)	38 (965)	68	210 (95)
CU-MS-H-D-48000-2-NXP-***	48,000 / 14.07	208-230 / 1 / 60	29	27 (710)	32 (803)	31 (803)	73	188(85)
CU-MS-H-D-60000-2-NXP-***	60,000 / 17.60	208-230 / 1 / 60	35	35 (803)	32 (803)	31 (803)	74	234 (101)

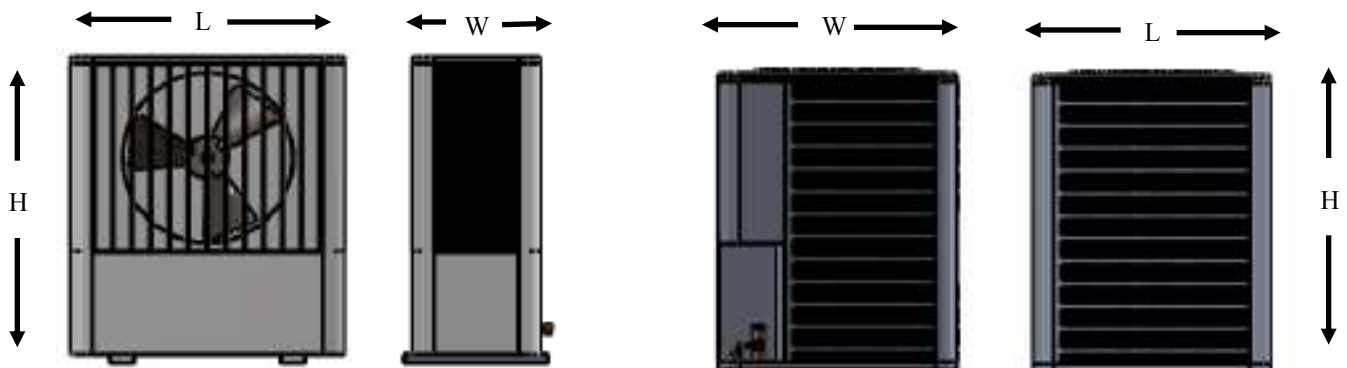
**Notes:**

\*\*\* Control Options and System Options that can be added. See Page # 11 for Details

Contact our Sales Department should your specifications require a variation on our standard units.

**IMPORTANT NOTICE**

**T Codes:** It is important to know the auto ignition temperature of the Gas or Vapor the unit will be operating in or around. The Gas or Vapor temperature should be above the rating of the equipment.



9,000—36,000 Cooling Capacity  
Horizontal Air Flow

48,000— 60,000 Cooling Capacity  
Vertical Air Flow

## CU-MS Series Mini Split Condensing Unit

N.E.C. & I.E.C. RATED & APPROVED

### DIVISION II / ZONE II DESIGN

**Designed to Operate in Division II / Zone II Area with Non Explosion Proof AH-MS Series Air Handler Units.**

Model	Capacity BTU/ KW	Power Supply Volts / PH / HZ	MCA	Height IN / MM	Depth IN / MM	Width IN / MM	Sound Level Db	Unit Weight LBS
CU-MS-H-D-9000-1-1CD2-***	9,000 / 2.64	110-120 / 1 / 60	10.8	36 (914)	15 (381)	24 (610)	59	98 (45)
CU-MS-H-D-12000-1-1CD2-***	12,000 / 3.52	110-120 / 1 / 60	13.8	36 (914)	15 (381)	24 (610)	59	98 (45)
CU-MS-H-D-9000-2-1CD2-***	9,000 / 2.64	208-230 / 1 / 60	5.7	36 (914)	15 (381)	24 (610)	68	98 (45)
CU-MS-H-D-12000-2-1CD2-***	12,000 / 3.52	208-230 / 1 / 60	7.3	36 (914)	15 (381)	24 (610)	68	98 (45)
CU-MS-H-D-18000-2-1CD2-***	18,000 / 5.28	208-230 / 1 / 60	8.5	36 (914)	15 (381)	32 (813)	68	156 (71)
CU-MS-H-D-24000-2-1CD2-***	24,000 / 7.03	208-230 / 1 / 60	10.8	40 (1016)	15 (381)	32 (813)	68	156 (71)
CU-MS-H-D-30000-2-1CD2-***	30,000 / 8.80	208-230 / 1 / 60	13.1	44 (1118)	15 (381)	38 (965)	68	210 (95)
CU-MS-H-D-36000-2-1CD2-***	36,000 / 10.55	208-230 / 1 / 60	16.2	48 (1219)	15 (381)	38 (965)	68	210 (95)
CU-MS-H-D-48000-2-1CD2-***	48,000 / 14.07	208-230 / 1 / 60	29	27 (710)	32 (803)	31 (803)	73	188(85)
CU-MS-H-D-60000-2-1CD2-***	60,000 / 17.60	208-230 / 1 / 60	35	35 (803)	32 (803)	31 (803)	74	234 (101)

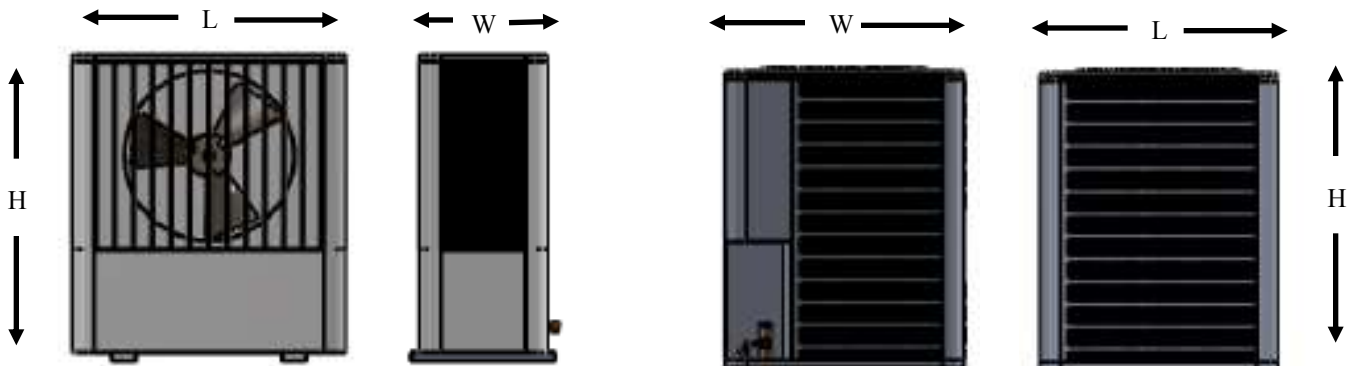
**Notes:**

\*\*\* Control Options and System Options that can be added. See Page # 11 for Details

Contact our Sales Department should your specifications require a variation on our standard units.

**IMPORTANT NOTICE**

**T Codes:** It is important to know the auto ignition temperature of the Gas or Vapor the unit will be operating in or around. The Gas or Vapor temperature should be above the rating of the equipment.



9,000—36,000 Cooling Capacity  
Horizontal Air Flow

48,000— 60,000 Cooling Capacity  
Vertical Air Flow

## CU-MS Series Mini Split Condensing Unit

N.E.C. & I.E.C. RATED & APPROVED

### DIVISION II / ZONE II DESIGN

**Designed to Operate in Division II / Zone II Area with Explosion Proof or Non Explosion Proof AH-MS Series Air Handler Units.**

Model	Capacity BTU/ KW	Power Supply Volts / PH / HZ	MCA	Height IN / MM	Depth IN / MM	Width IN / MM	Sound Level Db	Unit Weight LBS
CU-MS-H-D-9000-1-1CD2-***	9,0000 / 2.64	110-120 / 1 / 60	10.8	36 (914)	15 (381)	36 (914)	59	133(60)
CU-MS-H-D-12000-1-1CD2-***	12,0000 / 3.52	110-120 / 1 / 60	13.8	36 (914)	15 (381)	36 (914)	59	133(60)
CU-MS-H-D-9000-2-1CD2-***	9,0000 / 2.64	208-230 / 1 / 60	5.7	36 (914)	15 (381)	36 (914)	68	133(60)
CU-MS-H-D-12000-2-1CD2-***	12,0000 / 3.52	208-230 / 1 / 60	7.3	36 (914)	15 (381)	36 (914)	68	133(60)
CU-MS-H-D-18000-2-1CD2-***	18,0000 / 5.28	208-230 / 1 / 60	8.5	36 (914)	15 (381)	44 (1117)	68	191 (86)
CU-MS-H-D-24000-2-1CD2-***	24,0000 / 7.03	208-230 / 1 / 60	10.8	40 (1016)	15 (381)	44 (1117)	68	191 (86)
CU-MS-H-D-30000-2-1CD2-***	30,0000 / 8.80	208-230 / 1 / 60	13.1	44 (1118)	15 (381)	50 (1270)	68	246(111)
CU-MS-H-D-36000-2-1CD2-***	36,0000 / 10.55	208-230 / 1 / 60	16.2	48 (1219)	15 (381)	50 (1270)	68	246(111)
CU-MS-H-D-48000-2-1CD2-***	48,0000 / 14.07	208-230 / 1 / 60	29	27 (710)	42 (1053)	31 (803)	73	288(130)
CU-MS-H-D-60000-2-1CD2-***	60,0000 / 17.60	208-230 / 1 / 60	35	35 (803)	42 (1053)	31 (803)	74	324(160)

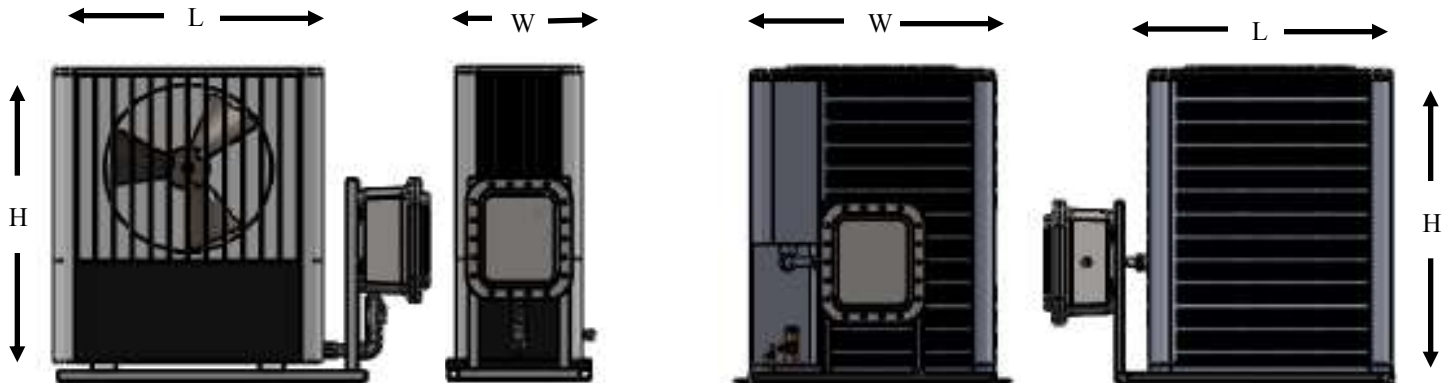
**Notes:**

\*\*\* Control Options and System Options that can be added. See Page # 11 for Details

Contact our Sales Department should your specifications require a variation on our standard units.

IMPORTANT NOTICE

**T Codes:** It is important to know the auto ignition temperature of the Gas or Vapor the unit will be operating in or around. The Gas or Vapor temperature should be above the rating of the equipment.



9,000—36,000 Cooling Capacity  
Horizontal Air Flow

48,000—60,000 Cooling Capacity  
Vertical Air Flow

## CU-MS Series Mini Split Condensing Unit

N.E.C. & I.E.C. RATED & APPROVED

### DIVISION I / ZONE I DESIGN

**Designed to Operate in Division I / Zone I Area with Explosion Proof or Non Explosion Proof AH-MS Series Air Handler Units.**

Model	Capacity BTU/ KW	Power Supply Volts / PH / HZ	MCA	Height IN / MM	Depth IN / MM	Width IN / MM	Sound Level Db	Unit Weight LBS
CU-MS-H-D-9000-1-ICD1-***	9,000 / 2.64	110-120 / 1 / 60	15	36 (914)	15 (381)	36 (914)	59	188(85.2)
CU-MS-H-D-12000-1-ICD1-***	12,000 / 3.52	110-120 / 1 / 60	18	36 (914)	15 (381)	36 (914)	59	188(85.2)
CU-MS-H-D-9000-2-ICD1-***	9,000 / 2.64	208-230 / 1 / 60	10	36 (914)	15 (381)	36 (914)	68	188(85.2)
CU-MS-H-D-12000-2-ICD1-***	12,000 / 3.52	208-230 / 1 / 60	12	36 (914)	15 (381)	36 (914)	68	188(85.2)
CU-MS-H-D-18000-2-ICD1-***	18,000 / 5.28	208-230 / 1 / 60	13	36 (914)	15 (381)	44 (1117)	68	246 (111.6)
CU-MS-H-D-24000-2-ICD1-***	24,000 / 7.03	208-230 / 1 / 60	16	40 (1016)	15 (381)	44 (1117)	68	246 (111.6)
CU-MS-H-D-30000-2-ICD1-***	30,000 / 8.80	208-230 / 1 / 60	18	44 (1118)	15 (381)	50 (1270)	68	301(136.5)
CU-MS-H-D-36000-2-ICD1-***	36,000 / 10.55	208-230 / 1 / 60	21	48 (1219)	15 (381)	50 (1270)	68	301(136.5)
CU-MS-H-D-48000-2-ICD1-***	48,000 / 14.07	208-230 / 1 / 60	35	37 (960)	42 (1053)	31 (803)	73	288(130)
CU-MS-H-D-60000-2-ICD1-***	60,000 / 17.60	208-230 / 1 / 60	40	45 (1053)	42 (1053)	31 (803)	74	324(160)

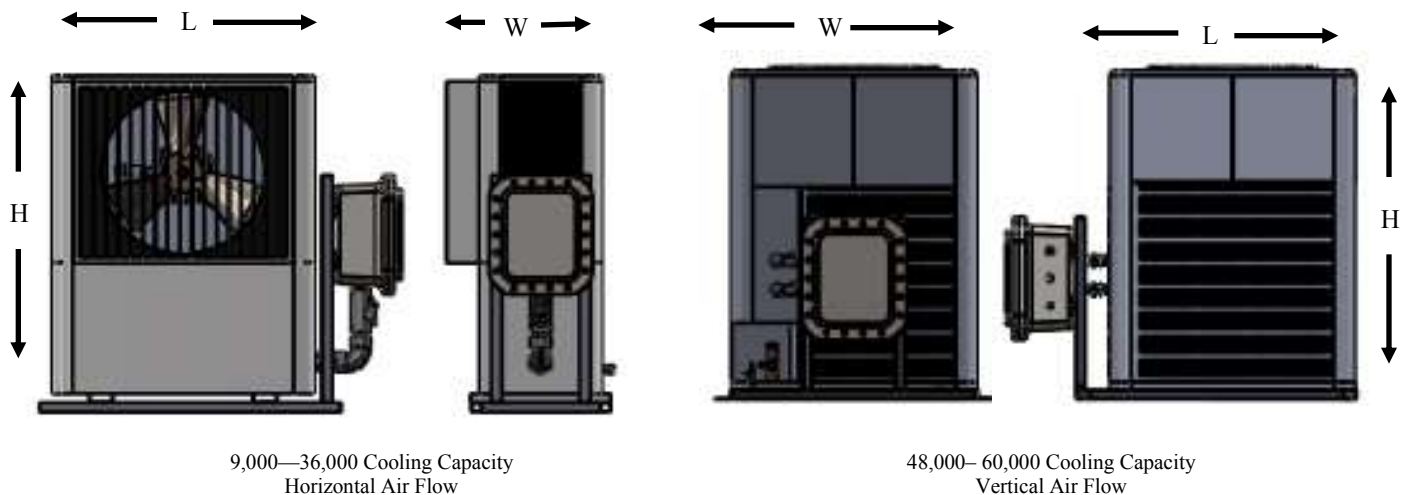
**Notes:**

\*\*\* Control Options and System Options that can be added. See Page # 11 for Details

Contact our Sales Department should your specifications require a variation on our standard units.

**IMPORTANT NOTICE**

**T Codes:** It is important to know the auto ignition temperature of the Gas or Vapor the unit will be operating in or around. The Gas or Vapor temperature should be above the rating of the equipment.



## AH-MS Series Mini Split Air Handling Unit

N.E.C. & I.E.C. RATED & APPROVED

### GENERAL PURPOSE DESIGN

**Designed to Operate in Non Classified Area with Explosion Proof or Non Explosion Proof CU-MS Series Air Handling Units.**

Model	Capacity BTU/ KW	Power Supply Volts / PH / HZ	MCA	Height IN / MM	Length IN / MM	Width IN / MM	Air Flow CFM (LPS)	Unit Weight LBS (KG)
AH-HW-D-9000-N-1-NXP-***	9,000 / 2.64	110-120 / 1 / 60	0.8	15-1/4 (387)	38-1/2 (978)	9-7/8 (251)	400 (190)	58.0 (26.4)
AH-HW-D-1200-N-1-NXP-***	12,000 / 3.52	110-120 / 1 / 60	0.8	15-1/4 (387)	38-1/2 (978)	9-7/8 (251)	400 (190)	60.0 (27.4)
AH-HW-D-24000-N-1-NXP-***	24,000 / 7.03	110-120 / 1 / 60	1.5	15-1/4 (387)	48-1/2 (1232)	9-7/8 (251)	750 (350)	66.2 (30.0)
AH-HW-D-9000-N-2-NXP-***	9,000 / 2.64	208-230 / 1 / 60	0.4	15-1/4 (387)	38-1/2 (978)	9-7/8 (251)	400 (190)	58.0 (26.4)
AH-HW-D-1200-N-2-NXP-***	12,000 / 3.52	208-230 / 1 / 60	0.4	15-1/4 (387)	38-1/2 (978)	9-7/8 (251)	400 (190)	60.0 (27.4)
AH-HW-D-1800-N-2-NXP-***	18,000 / 5.28	208-230 / 1 / 60	0.7	15-1/4 (387)	48-1/2 (1232)	9-7/8 (251)	750 (350)	66.2 (30.0)
AH-HW-D-24000-N-2-NXP-***	24,000 / 7.03	208-230 / 1 / 60	0.7	15-1/4 (387)	48-1/2 (1232)	9-7/8 (251)	750 (350)	66.2 (30.0)
AH-HW-D-30000-N-2-NXP-***	30,000 / 8.80	208-230 / 1 / 60	1	15-1/4 (387)	58-1/2 (1486)	9-7/8 (251)	1,100 (520)	90.1 (40.9)
AH-HW-D-36000-N-2-NXP-***	36,000 / 10.55	208-230 / 1 / 60	1	15-1/4 (387)	58-1/2 (1486)	9-7/8 (251)	1,100 (520)	90.1 (40.9)
AH-HW-D-48000-N-2-NXP-***	48,000 / 14.07	208-230 / 1 / 60	3.2	25 (641)	75 (1924)	9 (225)	1360 (641)	158 (71)
AH-HW-D-60000-N-2-INXP-***	60,000 / 17.60	208-230 / 1 / 60	3.2	25 (641)	75 (1924)	9 (225)	1335 (630)	163 (74)

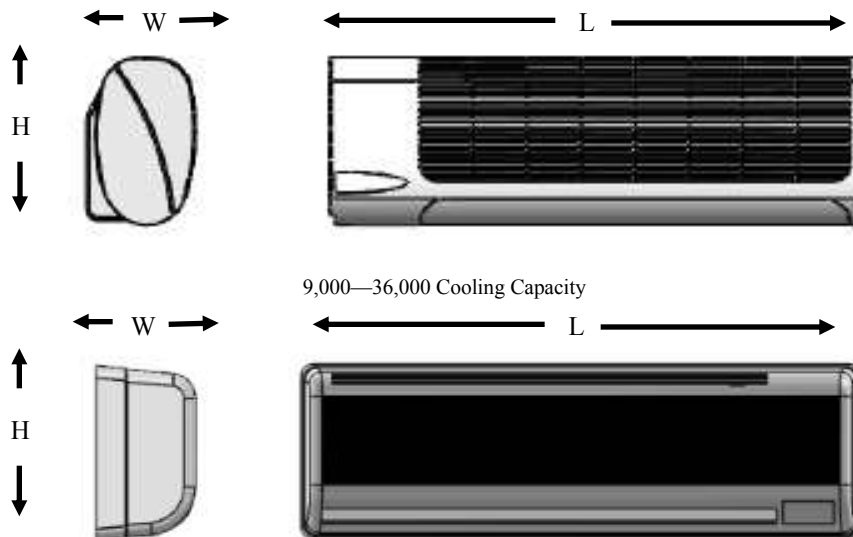
**Notes:**

\*\*\* Control Options and System Options that can be added. See Page # 11 for Details

Contact our Sales Department should your specifications require a variation on our standard units.

**IMPORTANT NOTICE**

**T Codes:** It is important to know the auto ignition temperature of the Gas or Vapor the unit will be operating in or around. The Gas or Vapor temperature should be above the rating of the equipment.



## AH-MS Series Mini Split Air Handling Unit

N.E.C. & I.E.C. RATED & APPROVED

### GENERAL PURPOSE DESIGN

**Designed to Operate in Non Classified Area with Explosion Proof CU-MS Series Air Handling Units.**

Model	Capacity BTU/ KW	Power Supply Volts / PH / HZ	MCA	Height IN / MM	Length IN / MM	Width IN / MM	Air Flow CFM (LPS)	Unit Weight LBS (KG)
AH-HW-D-9000-N-1-NXP-***	9,0000 / 2.64	110-120 / 1 / 60	0.8	15-1/4 (387)	50-1/2 (1282.7)	9-7/8 (251)	400 (190)	58.0 (26.4)
AH-HW-D-1200-N-1-NXP-***	12,0000 / 3.52	110-120 / 1 / 60	0.8	15-1/4 (387)	50-1/2 (1282.7)	9-7/8 (251)	400 (190)	60.0 (27.4)
AH-HW-D-24000-N-1-NXP-***	24,0000 / 7.03	110-120 / 1 / 60	1.5	15-1/4 (387)	60-1/2 (1536.7)	9-7/8 (251)	750 (350)	66.2 (30.0)
AH-HW-D-9000-N-2-NXP-***	9,0000 / 2.64	208-230 / 1 / 60	0.4	15-1/4 (387)	50-1/2 (1282.7)	9-7/8 (251)	400 (190)	58.0 (26.4)
AH-HW-D-1200-N-2-NXP-***	12,0000 / 3.52	208-230 / 1 / 60	0.4	15-1/4 (387)	50-1/2 (1282.7)	9-7/8 (251)	400 (190)	60.0 (27.4)
AH-HW-D-1800-N-2-NXP-***	18,0000 / 5.28	208-230 / 1 / 60	0.7	15-1/4 (387)	60-1/2 (1536.7)	9-7/8 (251)	750 (350)	66.2 (30.0)
AH-HW-D-24000-N-2-NXP-***	24,0000 / 7.03	208-230 / 1 / 60	0.7	15-1/4 (387)	60-1/2 (1536.7)	9-7/8 (251)	750 (350)	66.2 (30.0)
AH-HW-D-30000-N-2-NXP-***	30,0000 / 8.80	208-230 / 1 / 60	1	15-1/4 (387)	70-1/2 (1790.7)	9-7/8 (251)	1,100 (520)	90.1 (40.9)
AH-HW-D-36000-N-2-NXP-***	36,0000 / 10.55	208-230 / 1 / 60	1	15-1/4 (387)	70-1/2 (1790.7)	9-7/8 (251)	1,100 (520)	90.1 (40.9)
AH-HW-D-48000-N-2-NXP-***	48,0000 / 14.07	208-230 / 1 / 60	3.2	25 (641)	85(2169)	9 (225)	1360 (641)	178 (83)
AH-HW-D-60000-N-2-INXP-***	60,0000 / 17.60	208-230 / 1 / 60	3.2	25 (641)	85(2169)	9 (225)	1360 (641)	178 (83)

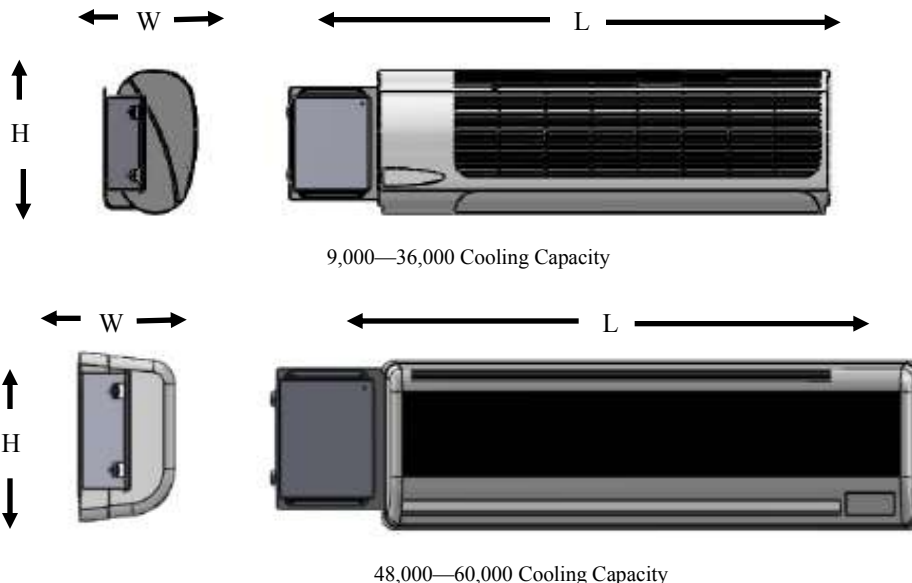
**Notes:**

\*\*\* Control Options and System Options that can be added. See Page # 11 for Details

Contact our Sales Department should your specifications require a variation on our standard units.

**IMPORTANT NOTICE**

**T Codes:** It is important to know the auto ignition temperature of the Gas or Vapor the unit will be operating in or around. The Gas or Vapor temperature should be above the rating of the equipment.





## AH-MS Series Mini Split Air Handling Unit

N.E.C. & I.E.C. RATED & APPROVED

### DIVISION II / ZONE II DESIGN

**Designed to Operate in Division II / Zone II Area with Explosion Proof or Non Explosion Proof CU-MS Series Condensing Units.**

Model	Capacity BTU/ KW	Power Supply Volts / PH / HZ	MCA	Height IN / MM	Length IN / MM	Width IN / MM	Air Flow CFM (LPS)	Unit Weight LBS (KG)
AH-HW-D-9000-N-1-ICD2-***	9,000 / 2.64	110-120 / 1 / 60	0.8	15-1/4 (387)	38-1/2 (978)	9-7/8 (251)	400 (190)	58.0 (26.4)
AH-HW-D-1200-N-1-ICD2-***	12,000 / 3.52	110-120 / 1 / 60	0.8	15-1/4 (387)	38-1/2 (978)	9-7/8 (251)	400 (190)	60.0 (27.4)
AH-HW-D-24000-N-1-ICD2-***	24,000 / 7.03	110-120 / 1 / 60	1.5	15-1/4 (387)	48-1/2 (1232)	9-7/8 (251)	750 (350)	66.2 (30.0)
AH-HW-D-9000-N-2-ICD2-***	9,000 / 2.64	208-230 / 1 / 60	0.4	15-1/4 (387)	38-1/2 (978)	9-7/8 (251)	400 (190)	58.0 (26.4)
AH-HW-D-1200-N-2-ICD2-***	12,000 / 3.52	208-230 / 1 / 60	0.4	15-1/4 (387)	38-1/2 (978)	9-7/8 (251)	400 (190)	60.0 (27.4)
AH-HW-D-1800-N-2-ICD2-***	18,000 / 5.28	208-230 / 1 / 60	0.7	15-1/4 (387)	48-1/2 (1232)	9-7/8 (251)	750 (350)	66.2 (30.0)
AH-HW-D-24000-N-2-ICD2-***	24,000 / 7.03	208-230 / 1 / 60	0.7	15-1/4 (387)	48-1/2 (1232)	9-7/8 (251)	750 (350)	66.2 (30.0)
AH-HW-D-30000-N-2-ICD2-***	30,000 / 8.80	208-230 / 1 / 60	1	15-1/4 (387)	58-1/2 (1486)	9-7/8 (251)	1,100 (520)	90.1 (40.9)
AH-HW-D-36000-N-2-ICD2-***	36,000 / 10.55	208-230 / 1 / 60	1	15-1/4 (387)	58-1/2 (1486)	9-7/8 (251)	1,100 (520)	90.1 (40.9)
AH-HW-D-48000-N-2-ICD2-***	48,000 / 14.07	208-230 / 1 / 60	3.2	25 (641)	75 (1924)	9 (225)	1360 (641)	158 (71)
AH-HW-D-60000-N-2-ICD2-***	60,000 / 17.60	208-230 / 1 / 60	3.2	25 (641)	75 (1924)	9 (225)	1335 (630)	163 (74)

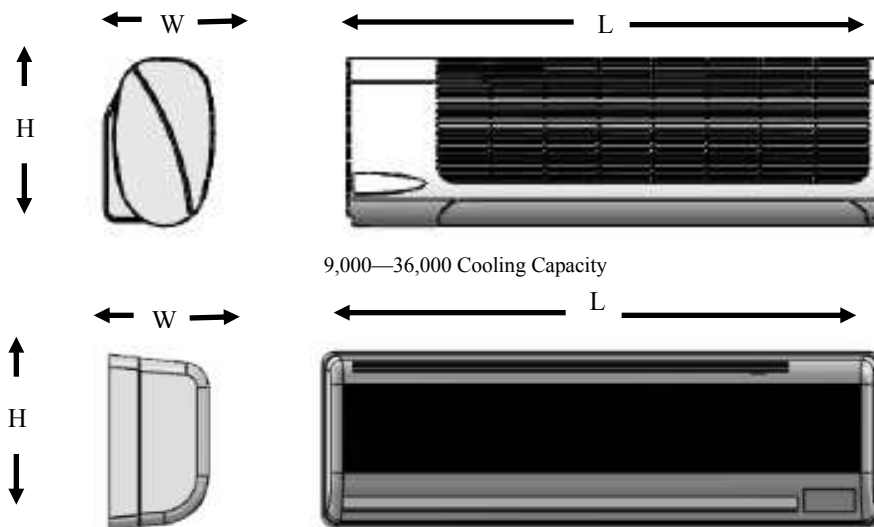
**Notes:**

\*\*\* Control Options and System Options that can be added. See Page # 11 for Details

Contact our Sales Department should your specifications require a variation on our standard units.

**IMPORTANT NOTICE**

**T Codes:** It is important to know the auto ignition temperature of the Gas or Vapor the unit will be operating in or around. The Gas or Vapor temperature should be above the rating of the equipment.



48,000-60,000 Cooling Capacity

## AH-MS Series Mini Split Air Handling Unit

N.E.C. & I.E.C. RATED & APPROVED

### DIVISION I / ZONE I DESIGN

**Designed to Operate in Division I / Zone I Area with Explosion Proof or Non Explosion Proof CU-MS Series Condensing Units.**

Model	Capacity BTU/ KW	Power Supply Volts / PH / HZ	MCA	Height IN / MM	Length IN / MM	Width IN / MM	Air Flow CFM (LPS)	Unit Weight LBS (KG)
AH-HW-D-9000-N-1-ICD1-***	9,000 / 2.64	110-120 / 1 / 60	0.8	15-1/4 (387)	50-1/2 (1282.7)	9-7/8 (251)	400 (190)	108.0 (48.4)
AH-HW-D-1200-N-1-ICD1-***	12,000 / 3.52	110-120 / 1 / 60	0.8	15-1/4 (387)	50-1/2 (1282.7)	9-7/8 (251)	400 (190)	110.0 (49.4)
AH-HW-D-24000-N-1-ICD1-***	24,000 / 7.03	110-120 / 1 / 60	1.5	15-1/4 (387)	60-1/2 (1536.7)	9-7/8 (251)	750 (350)	116.2 (52.0)
AH-HW-D-9000-N-2-ICD1-***	9,000 / 2.64	208-230 / 1 / 60	0.4	15-1/4 (387)	50-1/2 (1282.7)	9-7/8 (251)	400 (190)	108.0 (48.4)
AH-HW-D-1200-N-2-ICD1-***	12,000 / 3.52	208-230 / 1 / 60	0.4	15-1/4 (387)	50-1/2 (1282.7)	9-7/8 (251)	400 (190)	110.0 (49.4)
AH-HW-D-1800-N-2-ICD1-***	18,000 / 5.28	208-230 / 1 / 60	0.7	15-1/4 (387)	60-1/2 (1536.7)	9-7/8 (251)	750 (350)	116.2 (52.0)
AH-HW-D-24000-N-2-ICD1-***	24,000 / 7.03	208-230 / 1 / 60	0.7	15-1/4 (387)	60-1/2 (1536.7)	9-7/8 (251)	750 (350)	116.2 (52.0)
AH-HW-D-30000-N-2-ICD1-***	30,000 / 8.80	208-230 / 1 / 60	1	15-1/4 (387)	70-1/2 (1790.7)	9-7/8 (251)	1,100 (520)	140.1 (63.9)
AH-HW-D-36000-N-2-ICD1-***	36,000 / 10.55	208-230 / 1 / 60	1	15-1/4 (387)	70-1/2 (1790.7)	9-7/8 (251)	1,100 (520)	140.1 (63.9)
AH-HW-D-48000-N-2-ICD1-***	48,000 / 14.07	208-230 / 1 / 60	3.2	25 (641)	85(2169)	9 (225)	1360 (641)	198 (95)
AH-HW-D-60000-N-2-ICD1-***	60,000 / 17.60	208-230 / 1 / 60	3.2	25 (641)	85(2169)	9 (225)	1335 (630)	203 (98)

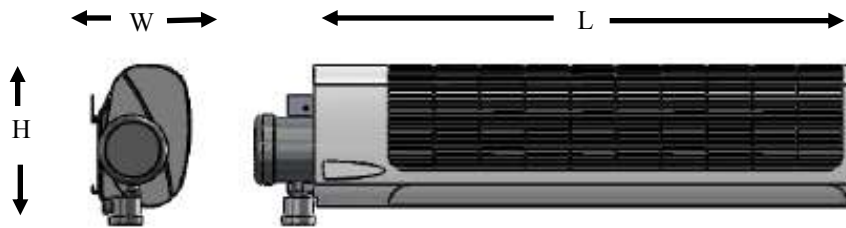
**Notes:**

\*\*\* Control Options and System Options that can be added. See Page # 11 for Details

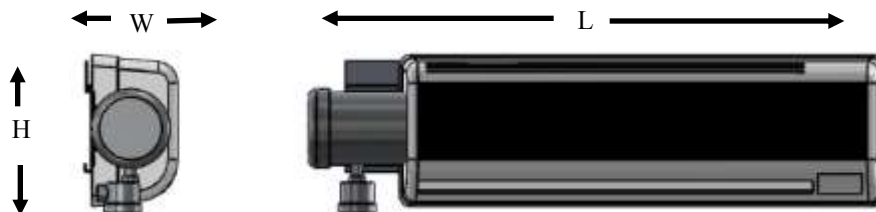
Contact our Sales Department should your specifications require a variation on our standard units.

**IMPORTANT NOTICE**

**T Codes:** It is important to know the auto ignition temperature of the Gas or Vapor the unit will be operating in or around. The Gas or Vapor temperature should be above the rating of the equipment.



9,000—36,000 Cooling Capacity



48000-60,000 Cooling Capacity

N.E.C. & I.E.C. RATED & APPROVED

## MS Series Mini Split Control Packages

**Below are the Control Options available for the CU-MS and AH-MS Series System if Selected Separately or as Package.**

Designation	Description	Classification of AH UNIT	Classification of CU UNIT
1C	General Purpose Controls for Both CU and AH Unit Sold together -T-STAT Included	GP	GP
1C	Standard General Purpose Controls for AH Unit Sold separately	GP	
1C	Standard General Purpose Controls for CU Unit Sold separately		GP
2C	All Explosion Proof Controls for Both CU and AH Unit Sold together. T-STAT Included	DIV II	DIV II
3C	Nema 4 Control Box located with Air handler unit with General Purpose T-STAT Control. Cu Division 2 N4 Box	GP	DIV II
4C	Explosion Proof T-STAT with Nema 4X Box On CU Unit	DIV II	GP
5C	All Explosion Proof Controls for Condenser Only		DIV II
6C	All Explosion Proof Controls for Evaporator And T-STAT	DIV II	
7C	All Explosion Proof Controls for Both CU and AH Unit Sold together. T-STAT Included	DIV I	DIV I
8C	Nema 4 Control Box located with Air handler unit with General Purpose T-STAT Control. Cu Division 2 N4 Box	GP	DIV I
9C	Explosion Proof T-STAT with Nema 4X Box On CU Unit	DIV I	GP
10C	All Explosion Proof Controls for Condenser Only		DIV I
11C	All Explosion Proof Controls for Evaporator And T-STAT	DIV I	

## MS Series Mini Split Available Options

**Below are the Available Options for the CU-MS and AH-MS Series Systems.**

- **-ADC** ADSIL Coated Coils and all Copper Lines for Corrosion Protection
- **-B** Group B Classification
- **-CC** Copper Tube and Copper Fin Coils
- **-CRT** Export Crate for Sea or Air Shipping
- **-EPX** 646 Micro Epoxy Coated Housing
- **-FAL** Low Volume Fresh Air Intake
- **-HCC** Heresite Coated Coils
- **-HG** Hot Gas by Pass Valve Installed
- **-MOD** Custom Modification (See Sales)
- **-SH4** 304 Stainless Steel Housing
- **-SH6** 316 Stainless Steel Housing
- **-SVI** Services Ports Installed
- **-RMT** Remote Control Box

**NOTE:**

If an option you require do to your specifications is not listed, please contact our Sales Engineering Department. We will be happy to work with you to insure our system fully compiles with your specifications.

When a client requires pertinent information for a project, getting it may be a difficult task if the company with the information the client needs is located in another time zone. At Safe Air Technology, we try our best to prevent this or, at the very least, minimize the time it takes our clients to receive vital information for their projects. To accomplish this, Safe Air Technology has established several international offices around the world to better aid our clients in their endeavors. We strive not only to provide excellence in our **explosion proof HVAC equipment** but in our **level of client service** as well. Safe Air Technology's international offices are intended to provide support to our clients everywhere without delay.

Safe Air Technology's corporate headquarters is located in Baton Rouge, Louisiana of the U.S.A. With two of our international offices located in the Middle East, Far East, and Latin America. Safe Air Technology has been able to expand to over 30 countries around the world. This is the key to providing accurate and essential information quickly to our clients all over the world. This provides for successful explosion proof HVAC projects.



Safe Air Technology  
United States



Safe Air Technology  
Mexico



Safe Air Technology  
U.A.E.



Safe Air Technology  
Singapore



Safe Air Technology  
*Offering The Keys to Success: Quality, Pricing and On Time Delivery*

4133 Evan Brooks Road • Baton Rouge LA 70814 U.S.A  
Phone (225) 303-0007 • Fax (225) 303-0020  
www.explosionproof.net • Email: [sales@explosionproof.net](mailto:sales@explosionproof.net)  
COPYRIGHT © 2010 Safe Air Technology LLC. All Rights Reserved